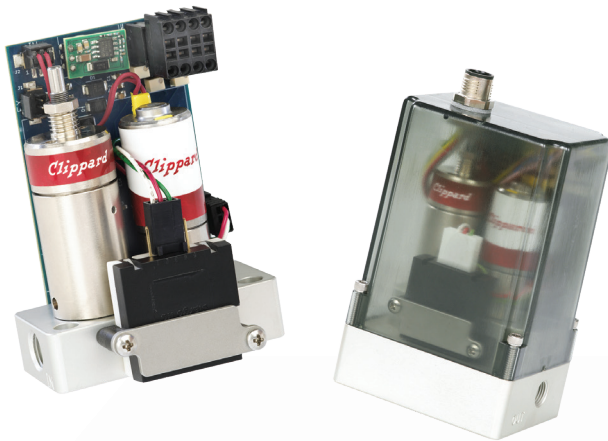


# CFC FLOW CONTROLLER



The Cordis flow controller utilizes an extremely fast-reacting mems technology sensor upstream from a proportional valve, with the option of a DR-2 regulator for accurate and precise pressure control in a small package. Unlike other mass flow controllers that require a 30 minute warm-up time, large differential pressures, and limited flow ranges, the award-winning Cordis requires less than one minute warm-up, its pressure drop is  $\leq 14''$  (35.6 cm)  $H_2O$ , and it features flow ranges as low as 0 to 30 sccm. Standard control options include 0.1 to 5 or 0.2 to 10 VDC, 4.32 to 20 mA, and 3.3 VDC Serial.

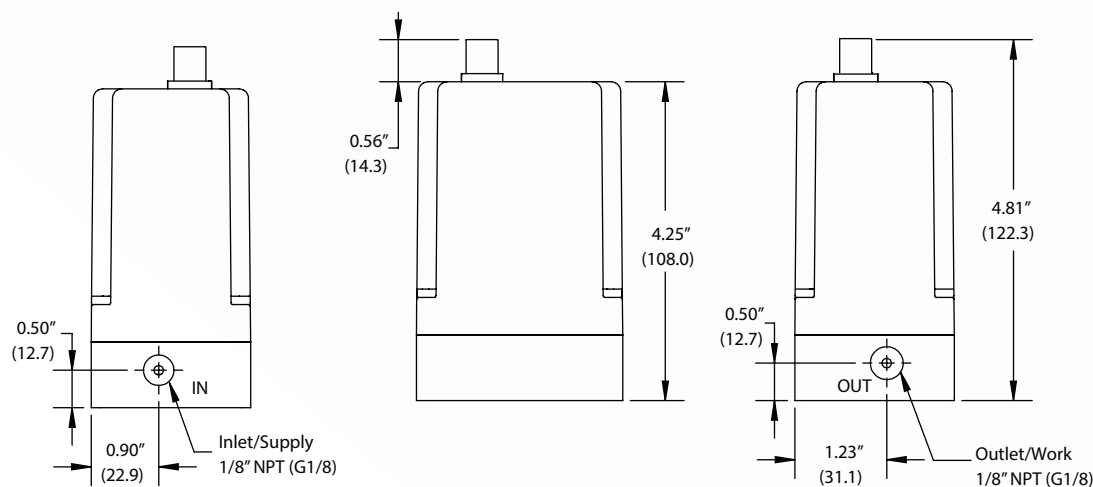
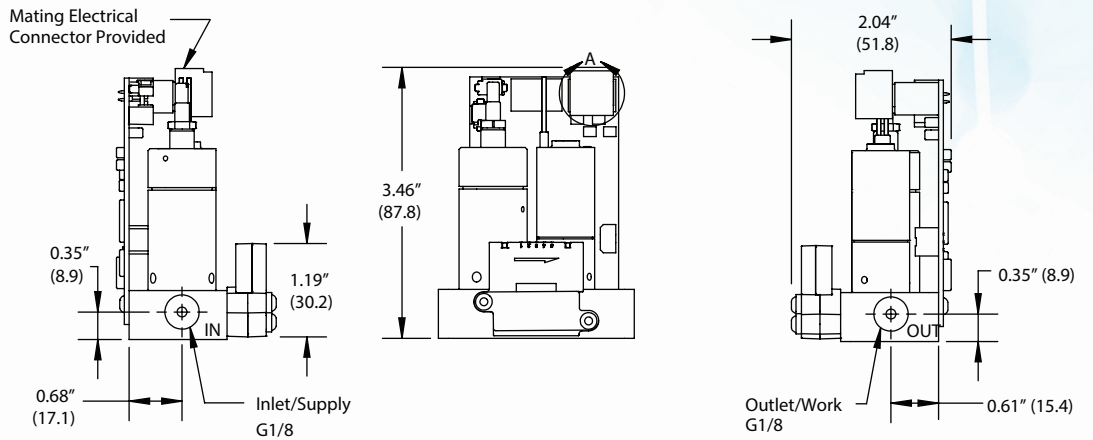
- 50:1 turndown ratio
- Compact size and weight
- $\leq 14''$  H<sub>2</sub>O pressure drop
- <1 minute warm-up
- Multiple low flow ranges
- <50 ms response times
- $\leq 25$  mV resolution
- Optional integrated regulator
- OEM style card unit or IP65 housed unit for light industrial applications

<b>Accuracy</b>	$\leq 2\%$ of full scale
<b>Current Draw</b>	$\leq 250$ mA max.
<b>Filtration</b>	40 micron filter ( <i>recommended</i> )
<b>Flow Range Sensors</b>	0 to 0.03 l/min, 0 to 0.2 l/min, 0 to 0.5 l/min, 0 to 1 l/min, 0 to 4 l/min, 0 to 6 l/min, 0 to 15 l/min
<b>Function</b>	Normally-closed proportional
<b>Hysteresis</b>	$\leq 1\%$ max.
<b>Inlet</b>	60 psig max. (4.1 bar)
<b>LED Indicators</b>	Power (red) and command mode (blue—solid indicates analog, flashing indicates serial)
<b>Linearity</b>	$\leq 1\%$
<b>Material, Wetted</b>	<b>Manifold:</b> Anodized aluminum <b>IP65 Housing:</b> Polycarbonate <b>Regulated Supply:</b> ENP brass <b>Sensor:</b> Polyamide <b>Valve, EVP:</b> ENP brass <b>Valve, DVP:</b> Stainless steel, PPS
<b>Medium</b>	Clean, dry, non-corrosive gases
<b>Mounting Attitude</b>	Any
<b>Operating Flow Range</b>	0-15 l/min
<b>Porting</b>	1/8" NPT, G1/8
<b>Pressure Drop</b>	$\leq 14''$ (35.6 cm) $H_2O$
<b>Protection Rating</b>	IP65 (housed unit only)
<b>Repeatability</b>	$\leq 1\%$
<b>Resolution</b>	$\leq 25$ mV
<b>Response Time</b>	<50 ms typical ( <i>application dependent</i> )
<b>Signal/Command</b>	0.2 to 10 VDC, 4.32 to 20 mA, 3.3 VDC serial
<b>Supply Voltage</b>	15 to 24 VDC
<b>Temperature Range</b>	32 to 120°F (0 to 49°C), <i>proportional valves</i>
<b>Turndown Ratio</b>	50:1
<b>Warm-Up Period</b>	<1 minute
<b>More Details</b>	<a href="http://clippard.com/link/cordis-cfc">clippard.com/link/cordis-cfc</a>

The Cordis is highly modifiable for OEM applications. Contact us today to discuss your specific needs.



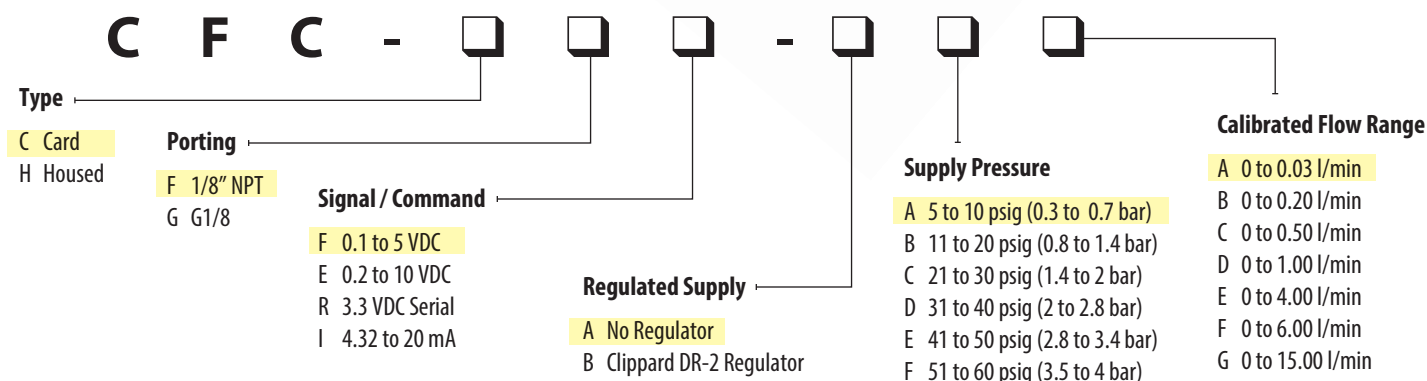
Card Unit (CFC-C)



Housed Unit (CFC-H)

See p. 17 for mounting bracket dimensions (utilizes same mounting bracket as CHP)  
 Dimensions shown are in inches (millimeters listed in parentheses). Visit [clippard.com](http://clippard.com) for more detailed 2D and 3D drawings.

## ORDERING INFORMATION



## ACCESSORIES

- CPCH-C1 Actuation Cable, 8-Pin, 6' (1.8 meters)
- CPCH-C2 3.3 VDC Serial Cable, 3' (0.8 meters)
- CPCH-B2 Mounting Bracket
- CPCH-CA6 Power Cord, 6' (card unit only)

### Example Part Number:

CFC-CFF-AAA

For more info, scan the QR code or visit [clippard.com/link/cordis-cfc](http://clippard.com/link/cordis-cfc)

